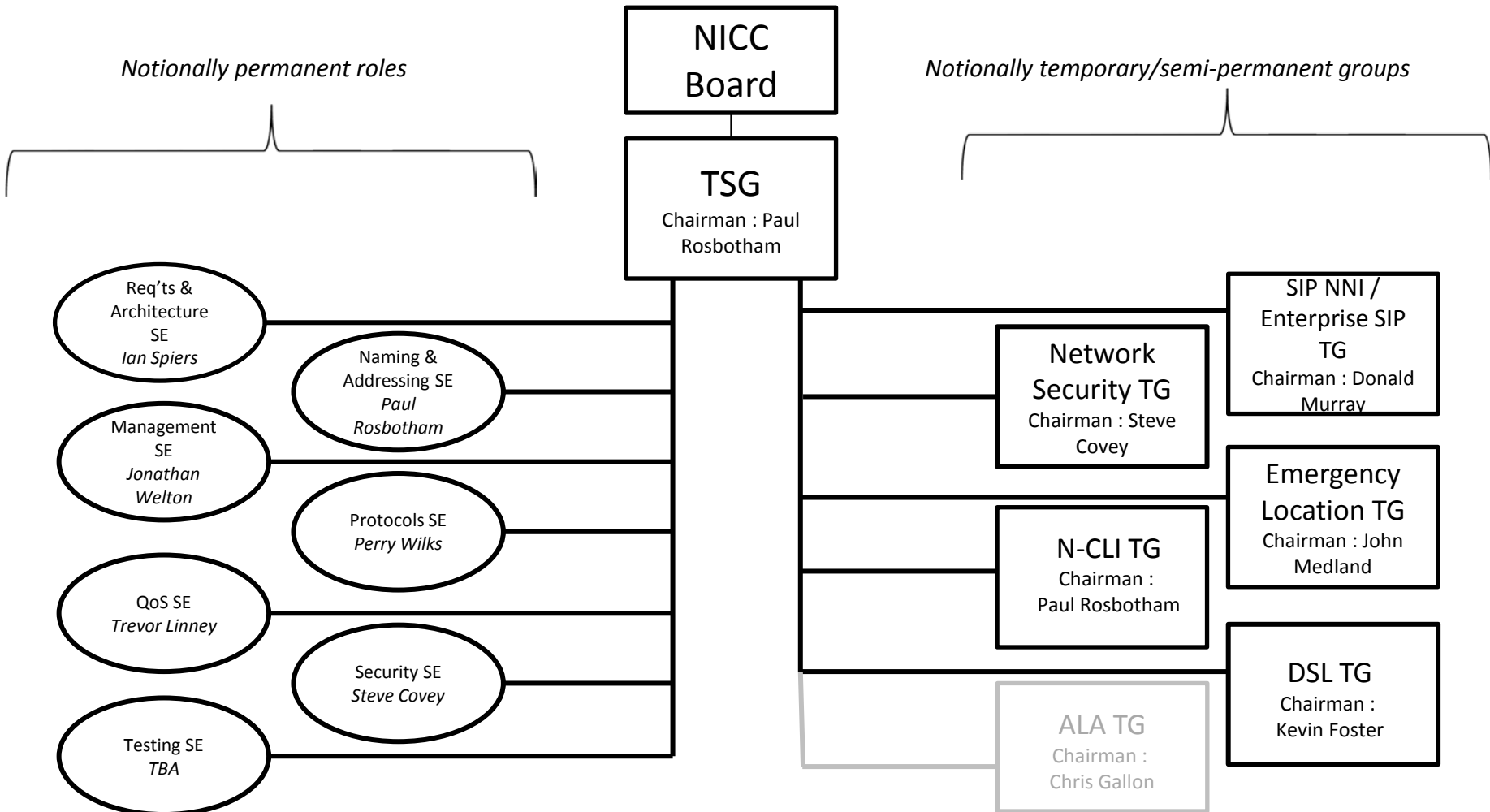


TSG Update

NICC's purpose

To be the technical authority for the integrity & interoperability of the UK communications networks and provide the conduit for all of industry to deliver, publish, monitor and maintain the associated technical standards

NICC's structure



Membership

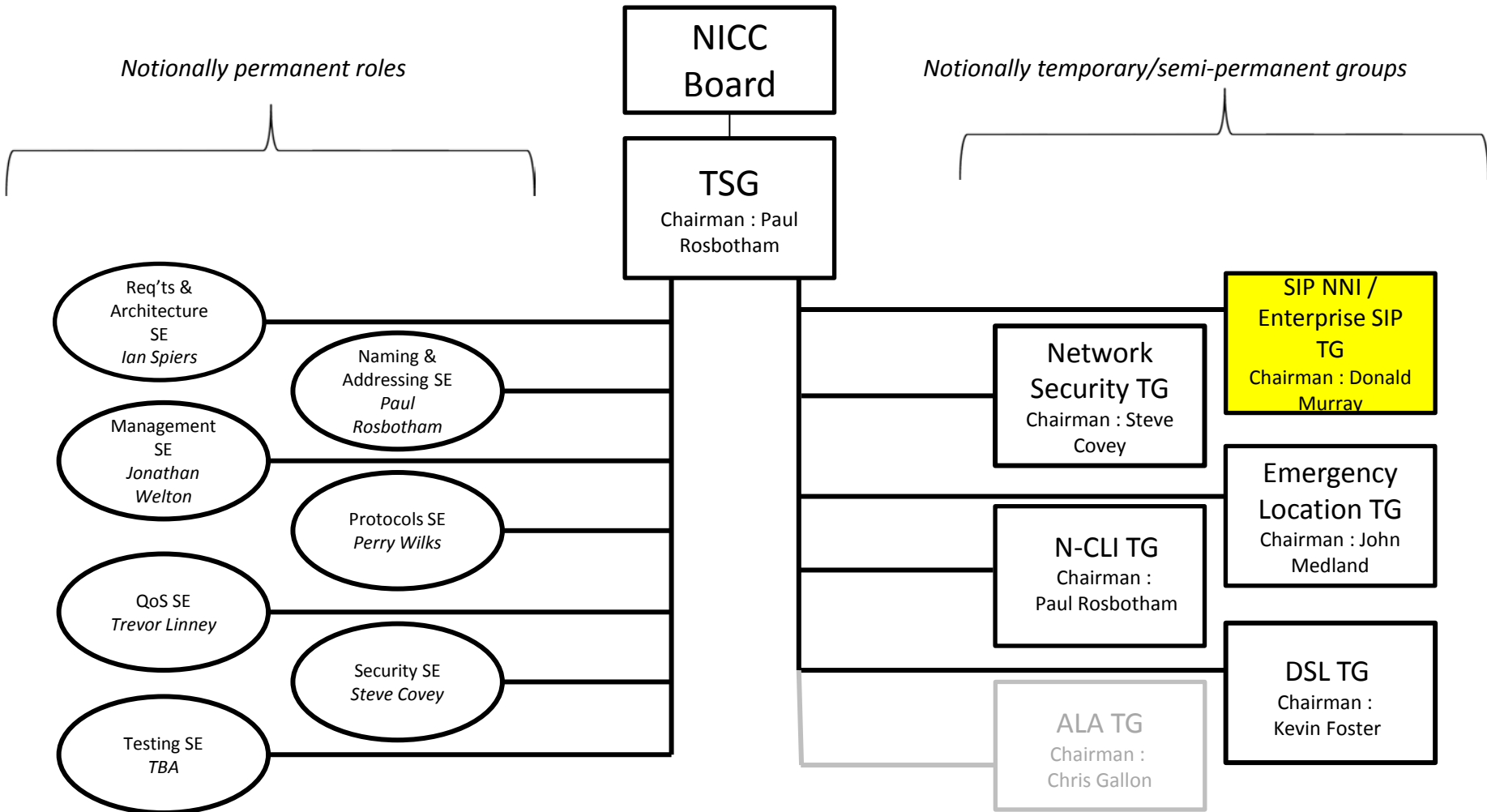
21 Full Members

12 Associate Members

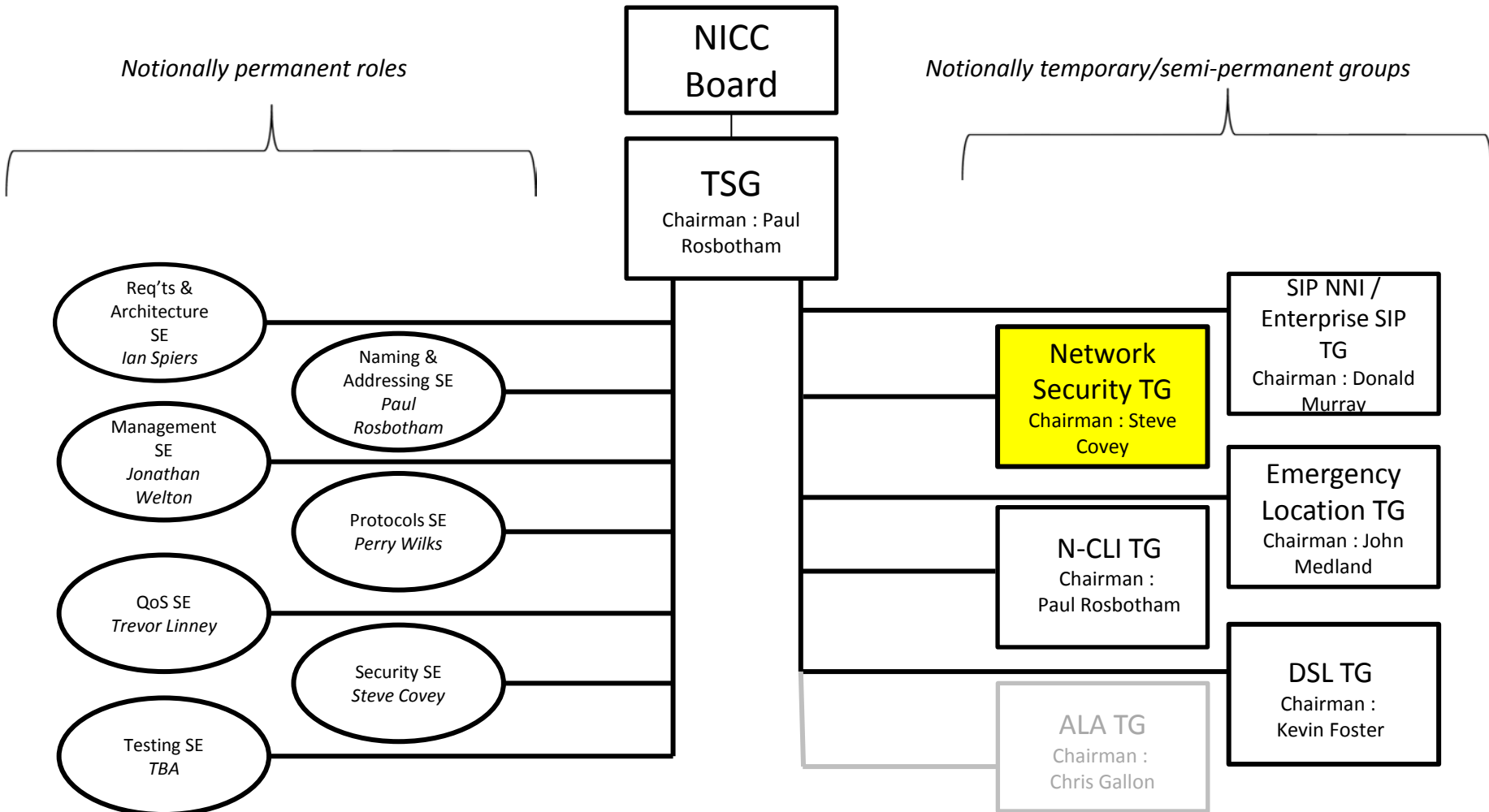
2 Observer Members

- Approx 50 active participants across our
TGs

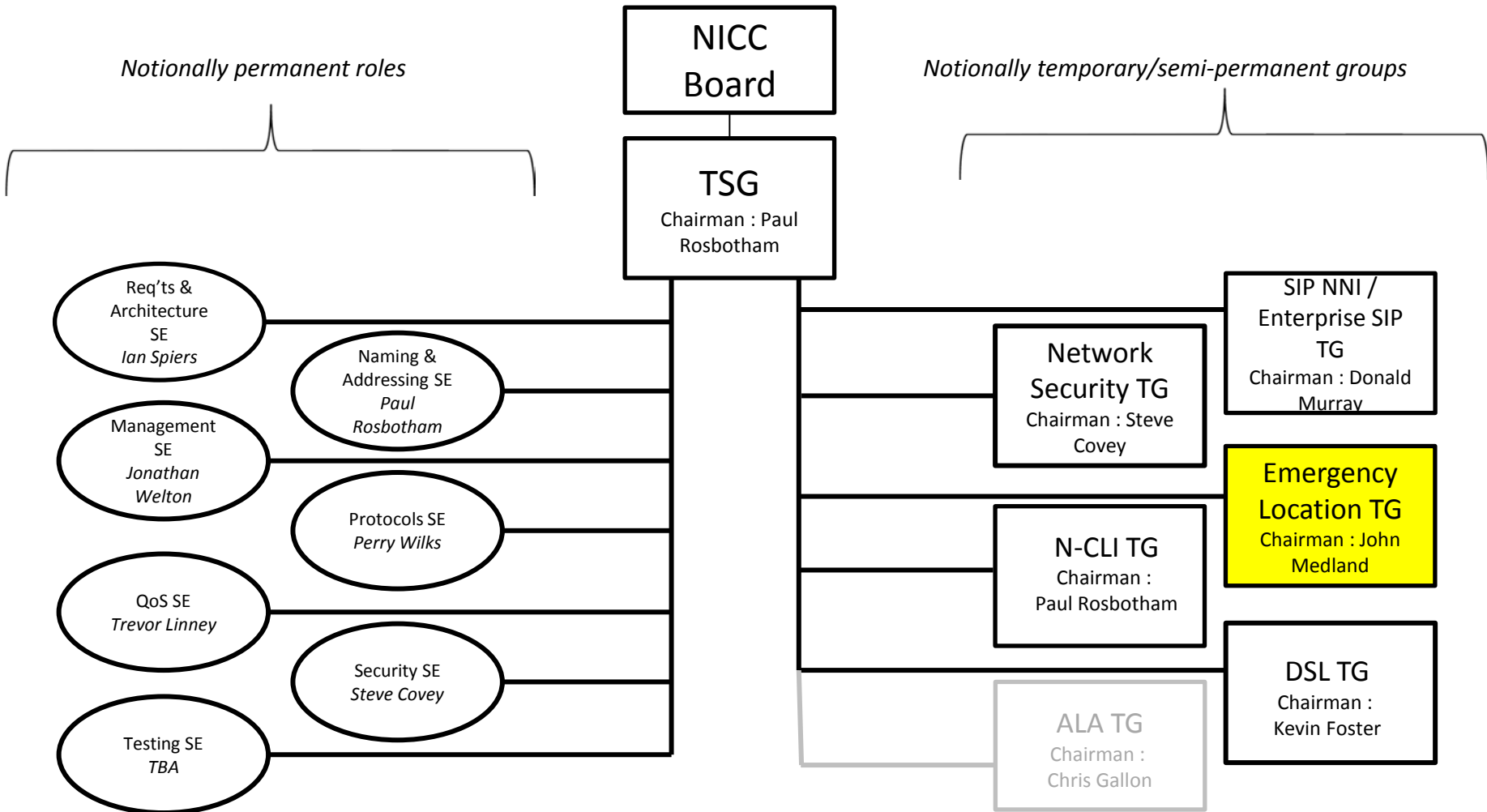
Activity Overview



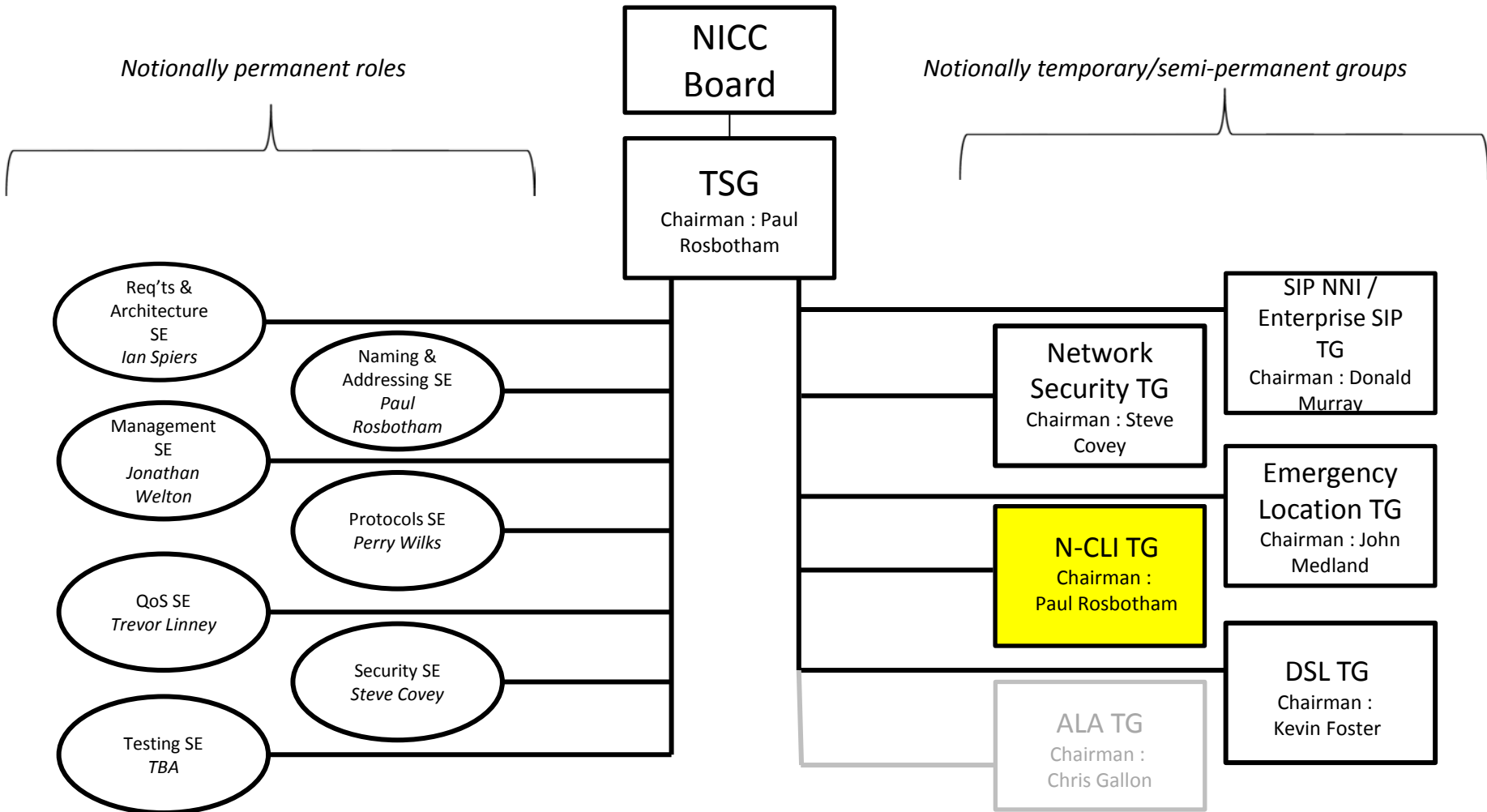
Activity Overview



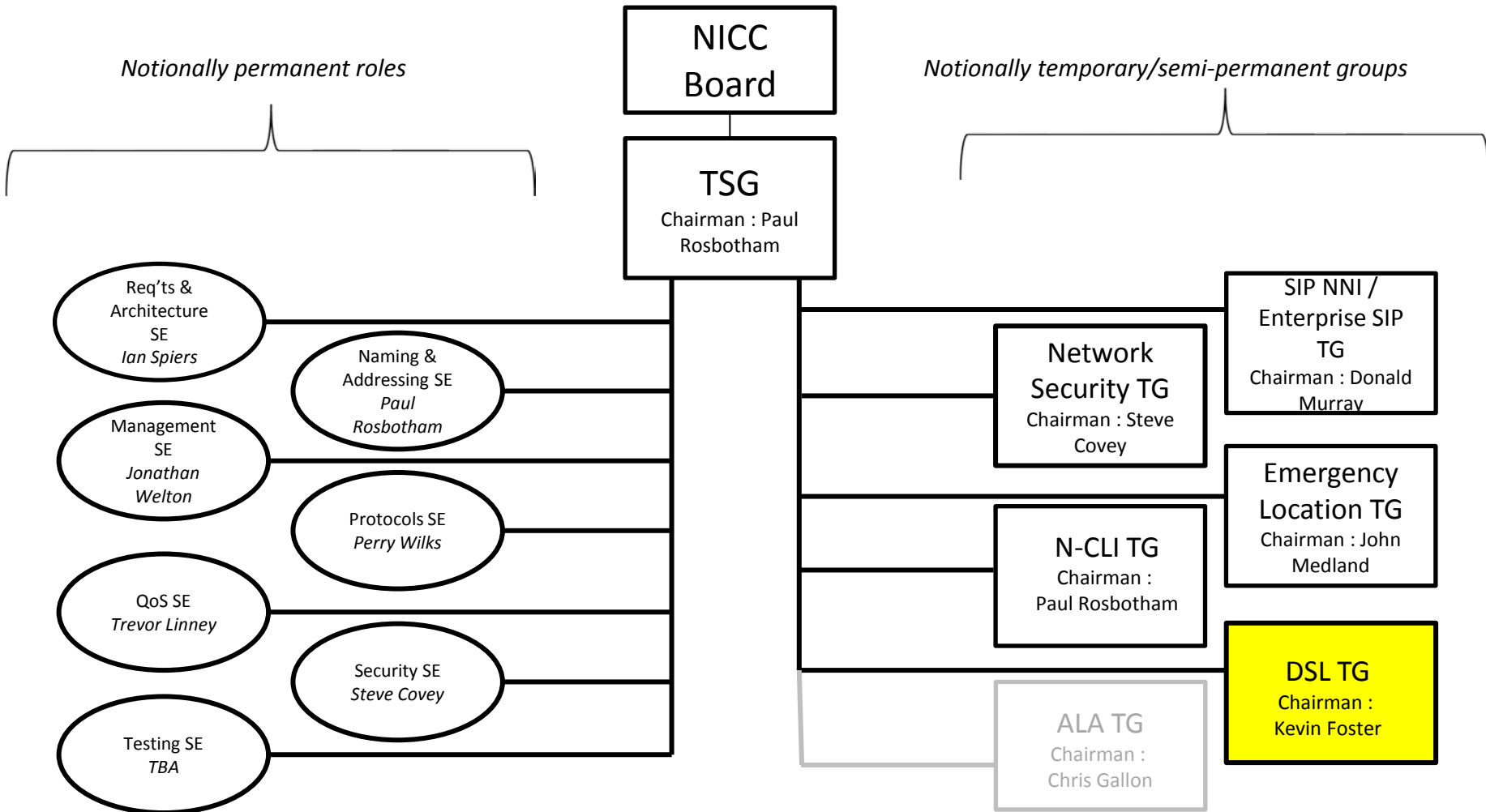
Activity Overview



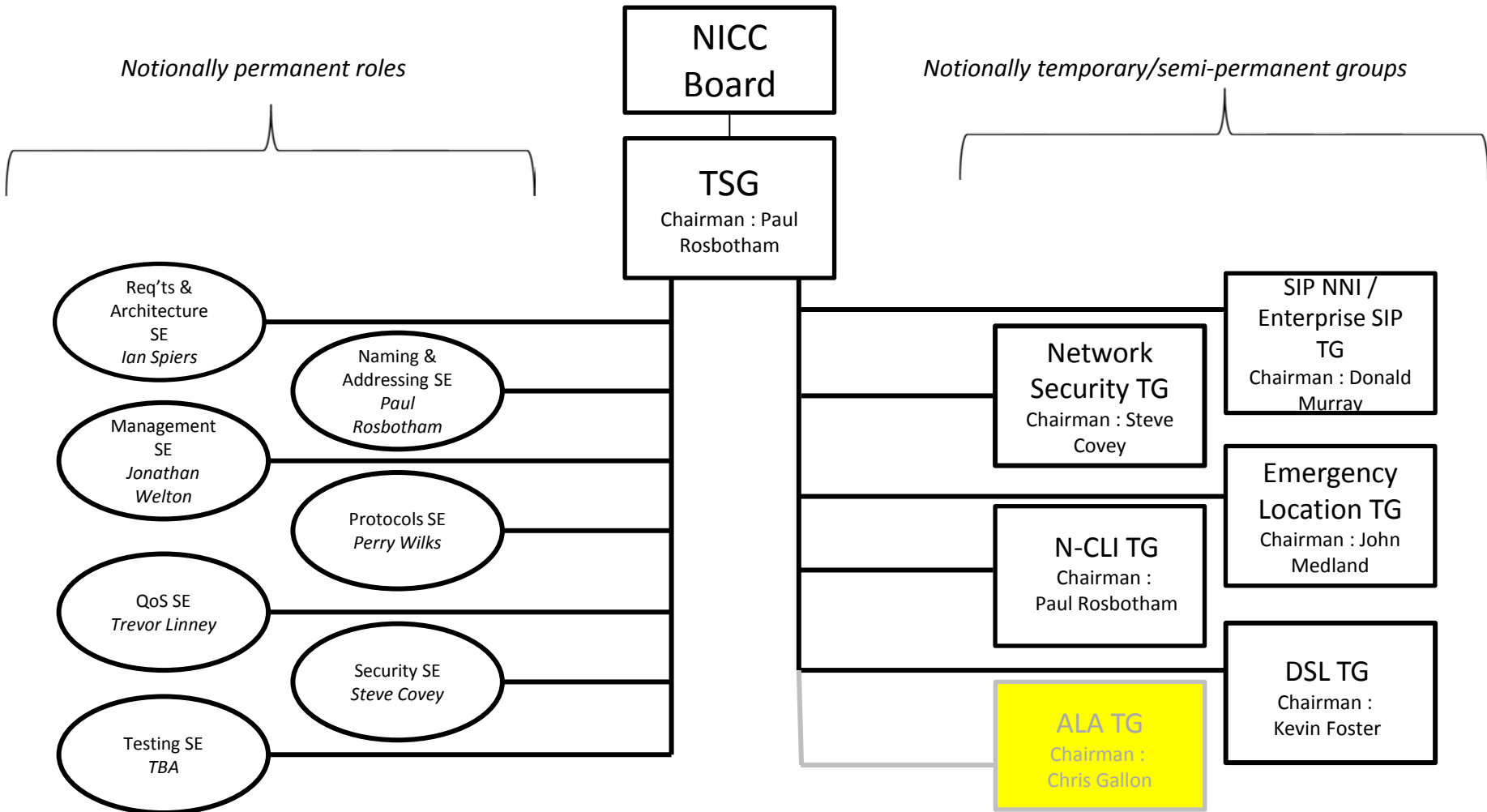
Activity Overview



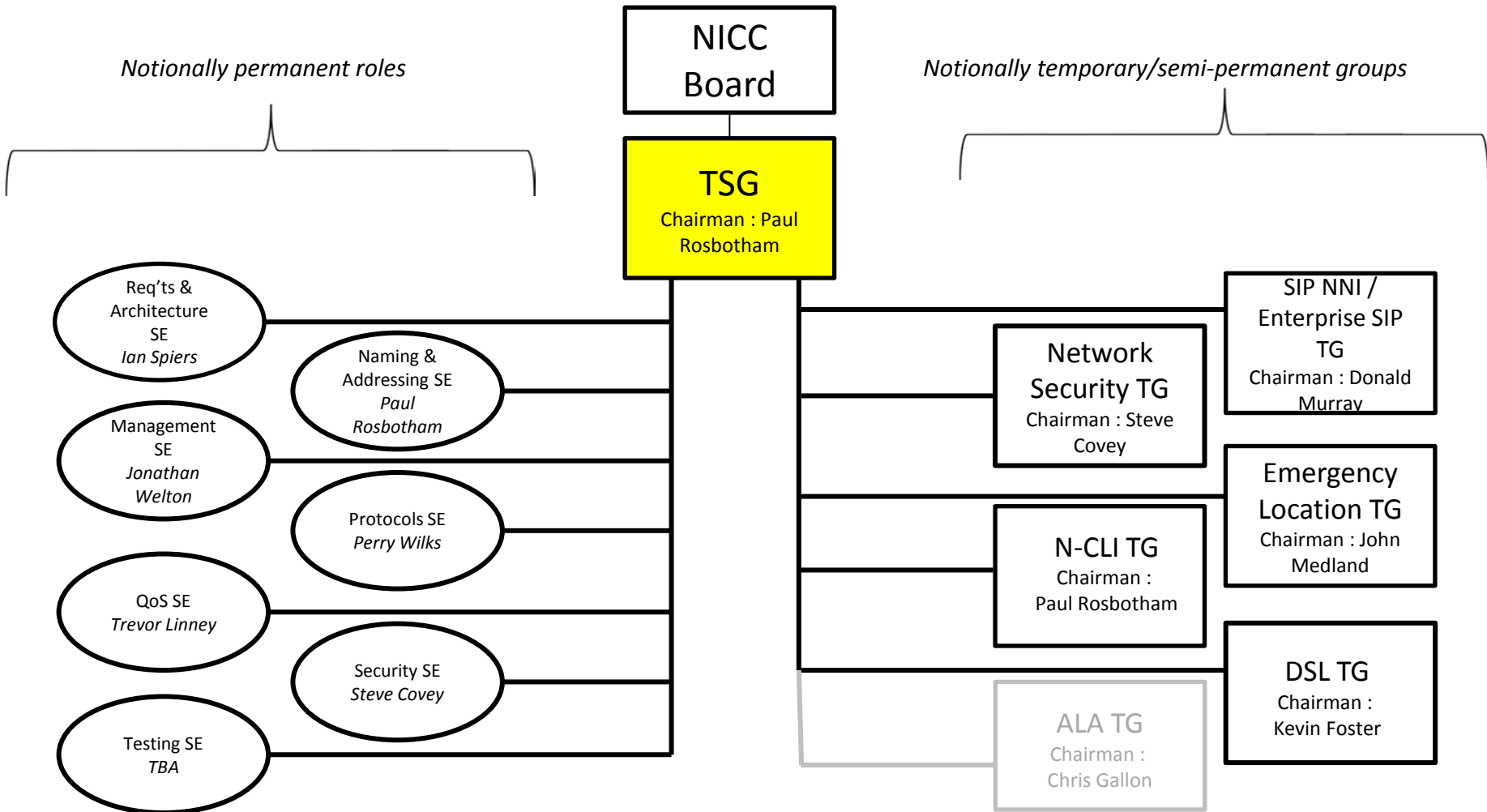
Activity Overview



Activity Overview



Activity Overview



TSG Update