

**nicc**<sup>®</sup>

UK Interoperability Standards

# Open Forum 2021

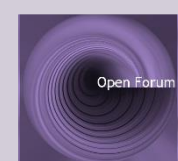


16th November 2021

# Access Technology Task Group

**Chair: Chris Croot CEng. (KCOM)**

- Attendance
- NICC Access Tech TG scope
- Current TG work programme
- Summary



- 7 meetings since the TG commencement.
  - All teleconferences

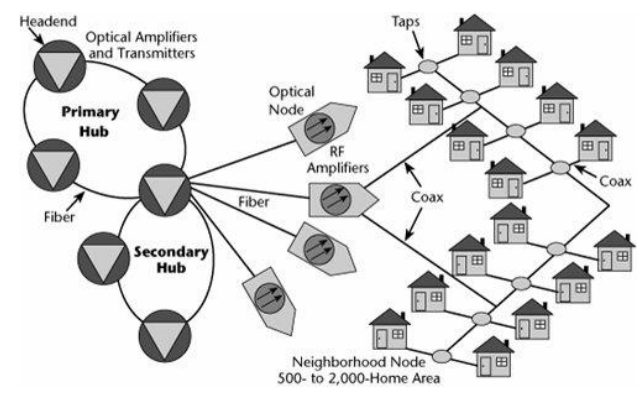
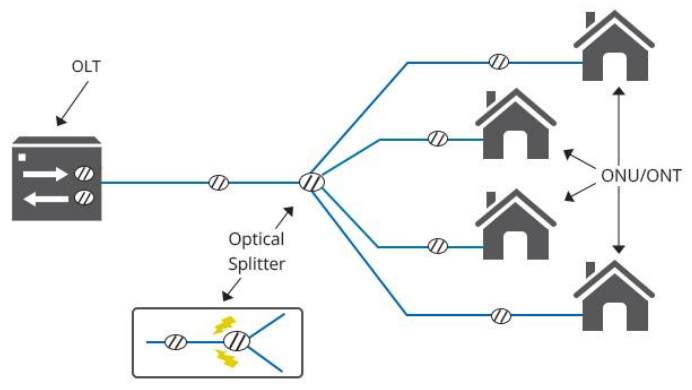
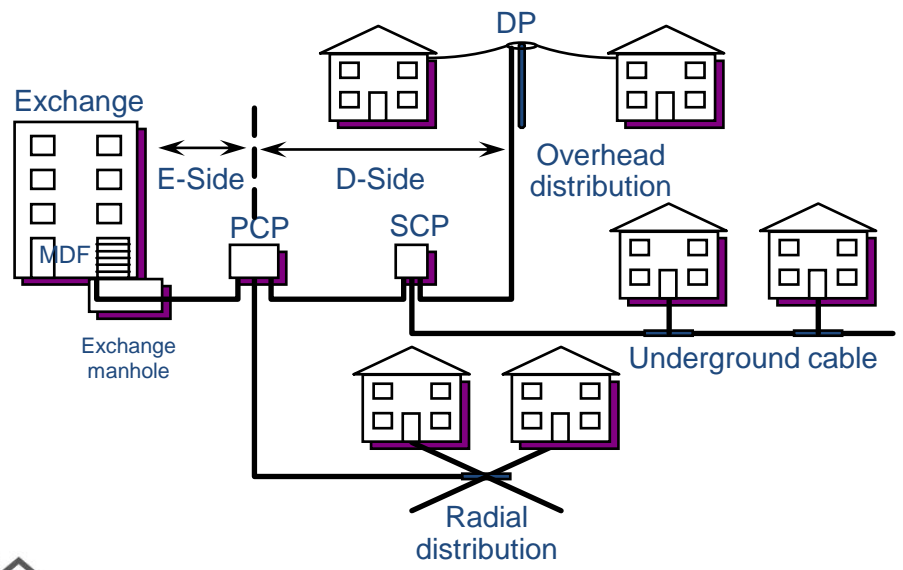
Operators/CPs	Equipment/chip vendor	Other organisations
BT Group (inc. Openreach)	ASSIA	First Mile Networks
FibreMe / Upp	DZS/ Keymile	Ofcom
Vodafone	Huawei	
Gigaclear		
KCOM		
Sky		
TalkTalk		
Virgin Media O2		
Smartnumbers		
BU-UK IFNL		

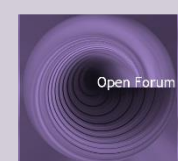




# Access Tech TG Scope

Specifications and guidelines relating to **Access Network Technology** in the UK access network (not including xDSL)

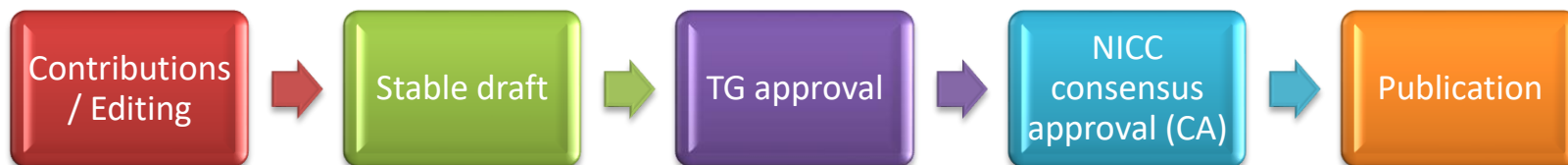




- Competition in the UK market is exploding with the push for Gigabit Broadband and the majority of companies are installing their own fibre infrastructure.
- Lots of things that the group could look at ranging from glass only interface through to security considerations.
- Try to focus onto a couple of specific areas of interest that will allow us to progress and give the greatest benefit.
- Focussing on PON.
- Well understood and adhered to international standards available for PON physical layer but less on the service interoperability or external management APIs.

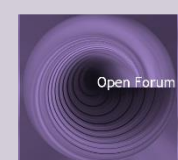






Study Item #	Description	Target ND(s)
334	OLT-ONT Interoperability	TBD
335	API for wholesale integration to the fibre access network	TBD

- TSG Approved the work on the above items to collate the pertinent use cases before continuing to NDs.
- Pull out the skills required to help contribute to those NDs.




- 'Young' task group only up to our 7<sup>th</sup> meeting.
  - Especially compared with our DSL TG predecessor with 20 years of meetings.
- We look to work with other organisations and want to prevent duplication of work.
- Have two agreed work items.
  - Looking to complete the use case collation by end of year.
  - Request TSG approval to start work on the NDs.
- We are contribution driven so if there are topics of importance in our space, join the group and contribute.





# Questions?



Thank You